

Leakage Current Tester



GLC-9000

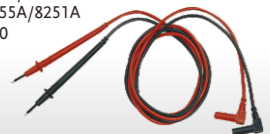


FEATURES

- * Suitable for Medical Electrical & General Electrical of Leakage Current Measurement
- * Touch Panel with Color LCD Display
- * 9 Different Measurement Network to Simulate the Resistance of Human Body
- * 50 Sets Preset Test Conditions Conform to the IEC 60990 ; 30 Sets Memories for Customer Defined
- * 8 Different Types of Leakage Current for General Electrical & Medical Equipment
- * Meter Function with SELV/CONV Function
- * Upper & Lower Limitation for PASS/FAIL Judgment
- * Various Leakage Current Measuring Mode : DC/AC/AC+DC/AC Peak
- * Various Standard Interfaces : RS-232C/ GPIB/USB Host & Device/EXT I/O

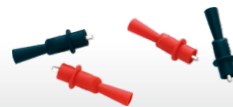
GTL-117 Test Lead

For: GDM-8245/8246
GDM-8255A/8251A
GLC-9000



GLC-01 Alligator Clips

For: GLC-9000



GLC-02 Foil Probe

For: GLC-9000



The GLC-9000, leakage current tester, is used to perform leakage current (or called touch current) tests on medical electrical (IEC 60601-1) and general purpose electric & electronic (IEC 60990) equipment. This tester engages with nine measurement networks (or called Measuring Device) to provide the simulation of human body whilst the EUT (equipment under test) is taking a leakage current testing, in compliance with the specific standards or regulations such as IEC, UL, JIS...etc..

In order to provide a simple operation environment, the GLC-9000 equips large TFT LCD touch panel to configure system as well as to present the measurement settings information and result simultaneously. Besides, there are 50 preset testing conditions, which conform to IEC60990 and other standards, for general electric equipment can be recalled to reduce the setting time. In addition, 30 sets empty memory are available for user defined.

A Meter mode is also available for the GLC-9000, it uses the measurement terminal (T1/T2) to measure voltage as the same way of ordinary voltmeter. During the voltage measurement, the SELV function (safety extra low voltage) is applicable to detect the voltage value between measuring points whether exceeding the SELV setting.

SPECIFICATIONS					
DC	Ranges	Range	Resolution	Accuracy	
DC	25.00mA	5.00mA ~ 25.00mA	10 μA	±(0.2%rdg+3dgt)	
	5.000mA	0.500mA ~ 5.000mA	1 μA	±(0.2%rdg+3dgt)	
	500.0 μA	50.0 μA ~ 500.0 μA	0.1 μA	±1.0%fs	
	50.00 μA	4.00 μA ~ 50.00 μA	0.01 μA	±1.0%fs	
	AC or AC+DC				
AC or AC+DC	25.00mA	5.00mA ~ 25.00mA	10 μA	10Hz<f ≤100kHz	100kHz<f ≤1MHz
	5.000mA	0.500mA ~ 5.000mA	1 μA	±(2.0%rdg+6dgt) ±(2.0%rdg+10dgt)	
	500.0 μA	50.0 μA ~ 500.0 μA	0.1 μA	±(2.0%rdg+6dgt) ±(2.0%rdg+10dgt)	
	50.00 μA	4.00 μA ~ 50.00 μA	0.01 μA	±(2.0%rdg+6dgt) ±(2.0%rdg+10dgt)	
	AC PEAK				
AC PEAK	75.0mA	10.0mA ~ 25.0mA	100 μA	20Hz<f ≤1kHz	1kHz<f ≤10kHz
	10.00mA	1.00mA ~ 10.00mA	10 μA	±(2.0%rdg+2dgt) ±(5.0%rdg+10dgt)	
	1.000mA	500 μA ~ 1.000mA	1 μA	±2.5%fs ±5.0%fs	
	500.0 μA	40.0 μA ~ 500.0 μA	0.1 μA	±4.0%fs ±5.0%fs	
	EUT				
Voltage	300V	85V ~ 300V	0.1V	±(2%rdg+10dgt)	
	10A	0.5A ~ 10A	0.1A	±(2%rdg+5dgt)	
Current	AC/DC	10.0 ~ 300.0V	0.1V	±(3%rdg+2V)	
	AC+DC	10.0 ~ 300.0V	0.1V	±(3%rdg+2V)	
	AC Peak	15.0 ~ 430.0V	0.1V	±(3%rdg+2V)	
INTERFACE					
RS-232C, GPIB, USB Host & Device, EXT I/O					
POWER SOURCE					
For GLC-9000 : AC 100V/120V/220V/230V±10%, 50/60Hz					
For EUT : AC 85V ~ 250V, 50/60Hz					
DIMENSIONS & WEIGHT					
330 (W) x 150 (H) x 350 (D) mm; Approx. 5kg					

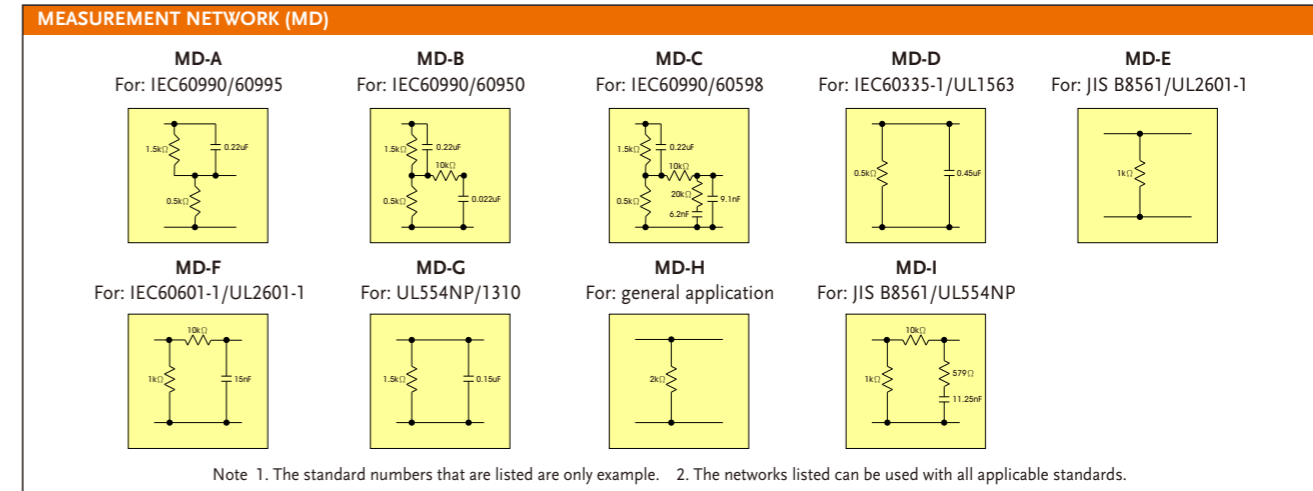
ORDERING INFORMATION

GLC-9000	Leakage Current Tester
ACCESSORIES :	
User manual x 1, Power cord x 2, Test lead(GTL-117) x 2, CD x1(Complete user manual), Alligator clips(GLC-01) x 4(Red x 2/Black x 2), Foil probe(GLC-02) x 1,	
OPTIONAL ACCESSORIES	
GTL-232	RS-232C Cable
GTL-246	USB Cable, USB 2.0 A-B TYPE CABLE, 4P
GTL-248	GPIB Cable (2.0m)
GTL-251	GPIB-USB-HS(High Speed)



GLC-9000

Rear Panel

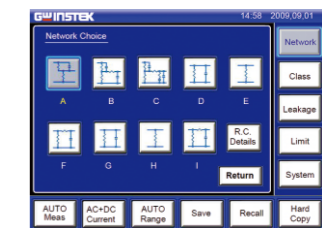


A. SIMPLE AND INTUITIVE SYSTEM



The color TFT touch screen makes operation intuitive and simple, whilst making it easier to observe test result.

B. VARIOUS MEASUREMENT NETWORK



Nine Measurement Network are available for measuring the leakage current of electrical and medical equipment.

C. PRESET TEST CONDITIONS

Standard No.	Applicable Electrical Equipment
IEC60950	Information Technology Equipment
IEC60335	Household and Similar Electrical Appliances
IEC60065	Audio, Video and Similar Electrical Appliances
IEC60745	Hand-held Motor-Operated Electric Tools
IEC60598	Luminaires
IEC61010	Electrical Equipment for Measurement, Control, and Laboratory Use

50 preset standard test conditions conforming to IEC 60990 for general electric equipment. Additional 30 sets empty memory for user defined

D. VARIOUS STANDARD INTERFACES



The various practical interfaces are equipped as standard making control convenient and flexible.

Combined Test Solutions,
4 Commerce Way, Stanbridge Road,
Leighton Buzzard, LU7 4RW

T: 01525 374466
E: sales@ctstest.co.uk
W: www.ctstest.co.uk

